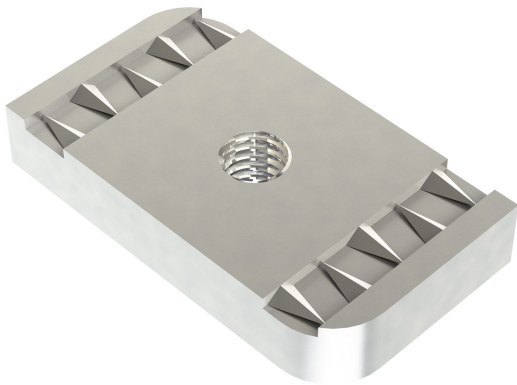


PRODUCT CODE: CS20-GA
CHANNEL SPRING NUT



DESCRIPTION

M6 Plain Spring Nut

FINISH

Hot Dipped Galvanised

MATERIAL

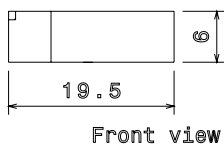
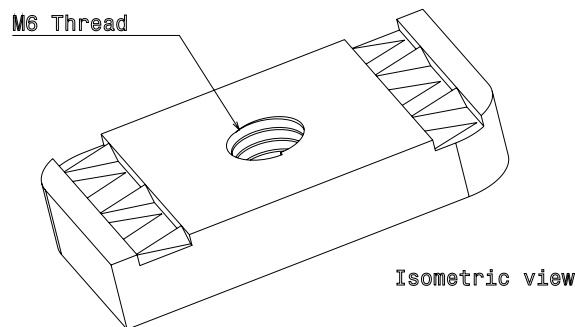
Steel

PACKAGING

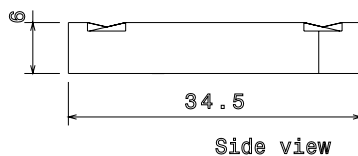
Packed in qty 100

ADDITIONAL NOTES

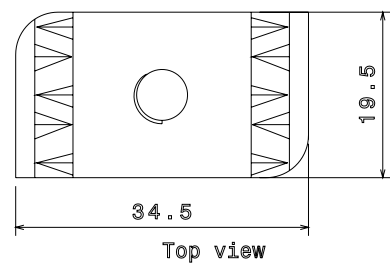
Produced to comply with the requirements of BS6946 Metal Channel Support Systems
For use with 21mm and 41mm depth channel
Compliant to LU Standard 1-085 (for use on surface & sub-surface locations)



Front view



Side view



Top view